

REFERENCIAL 3D

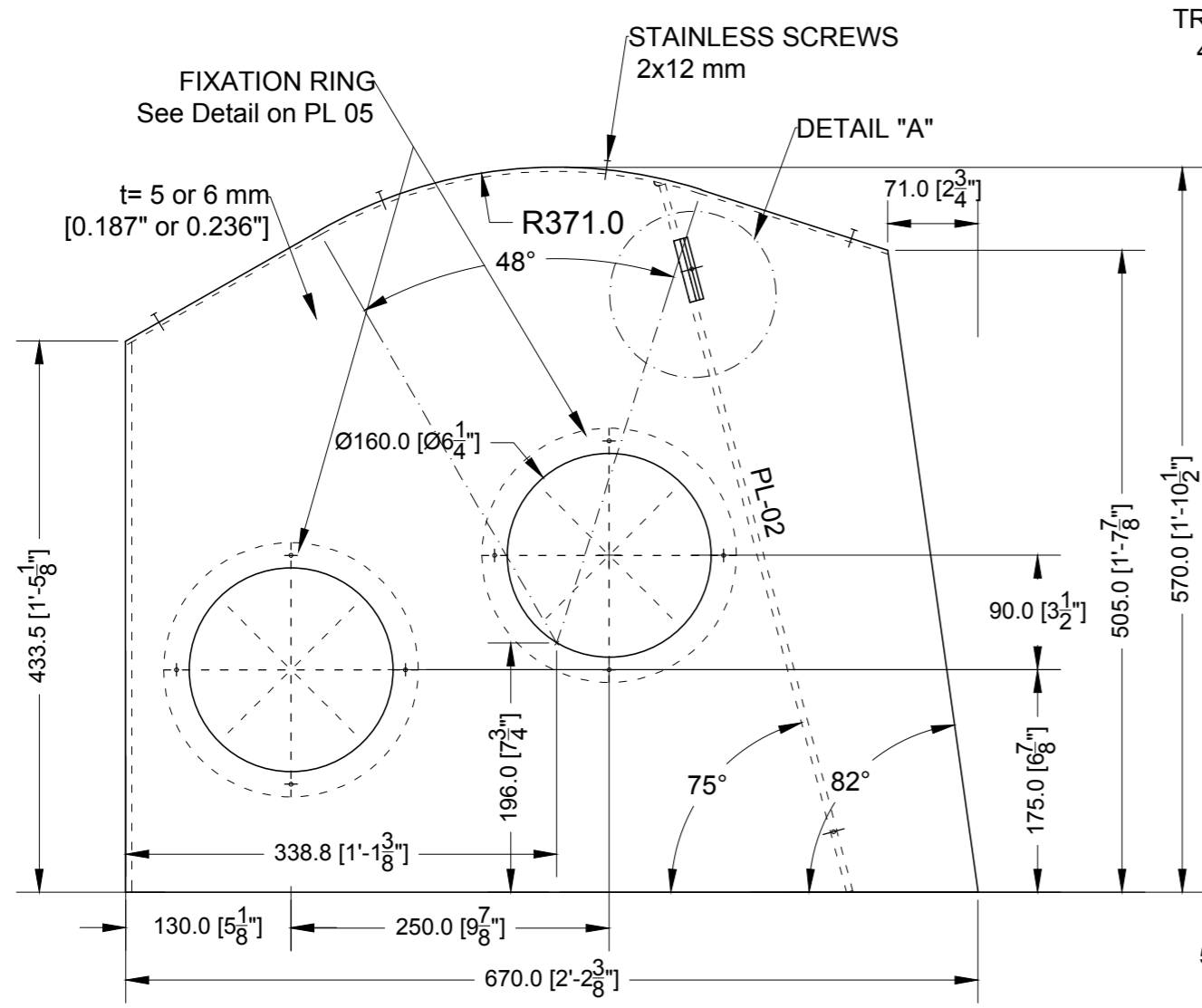
ISOMETRIC VIEW

ITEM.	DESCRIPTION	MATERIAL	N°
1	BOLT 3 X 16 MM	STAINLESS STEEL	29
2	SCREW 2 X 12 MM	STAINLESS STEEL	17
3	CIRCULAR LICK Ø200 MM [7 7/8"]	TRANSPARENT PVC LICK	6
4	VERTICAL LICK 200X530X3 MM	TRANSPARENT PVC LICK	4
5	PL 01 – SIDE PIECE	ACRYLIC 5 OR 6MM [0.187" or 0.236"]	2
6	PL 02 – BACK PIECE (ARC)	ACRYLIC 5 OR 6MM [0.187" or 0.236"]	1
7	PL 03 – ROOF	ACRYLIC 3 MM [0.125"]	1
8	PL 04 – FRONT PIECE	ACRYLIC 5 OR 6MM [0.187" or 0.236"]	1
9	PL 05 – FIXATION RING	ACRYLIC 3 MM [0.125"]	6
10	PL 06 – VERTICAL LICK FIXATION	ACRYLIC 3 MM [0.125"]	1

NOTES:

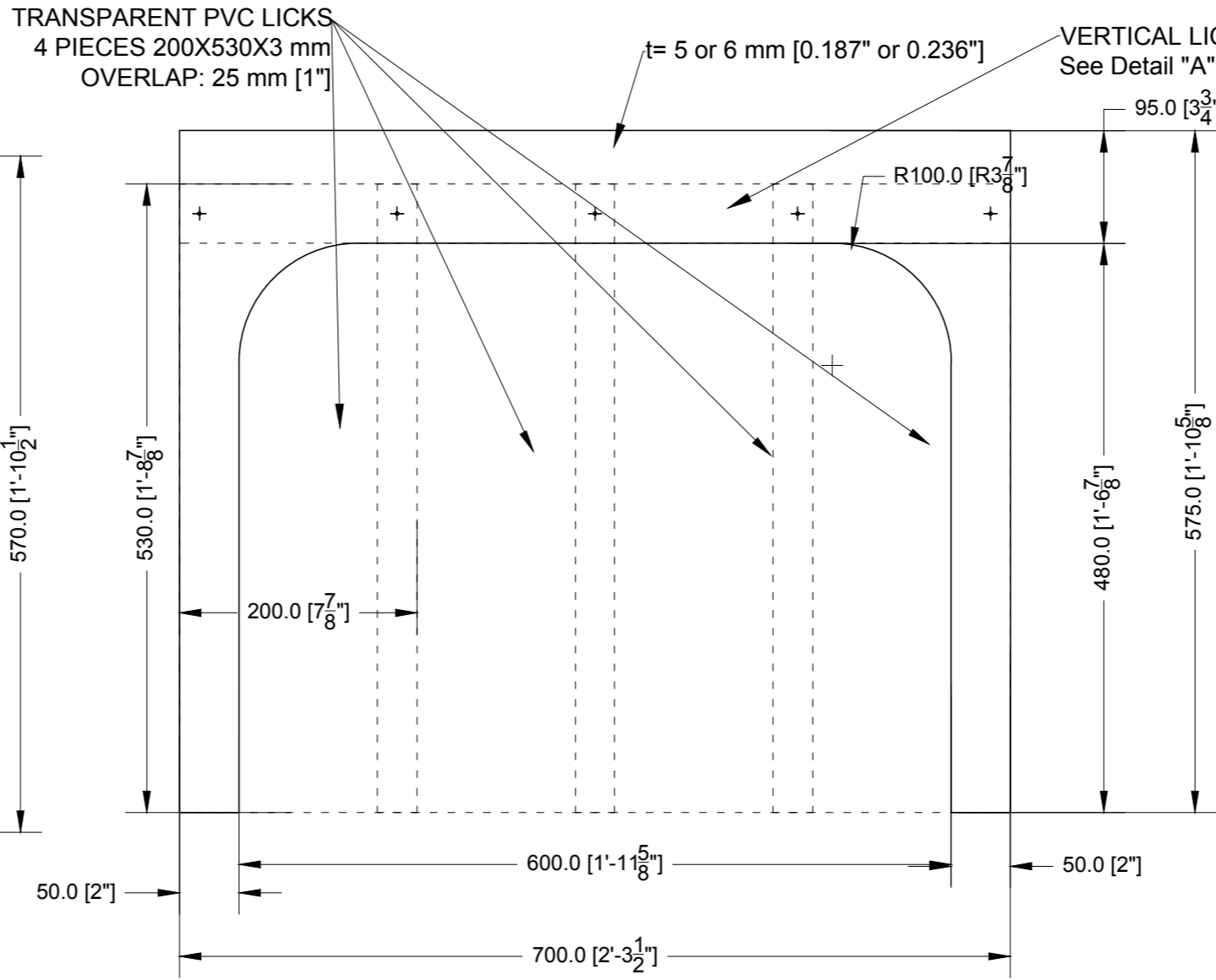
- All measurements are in millimeters and [imperial system]
- PL01, PL02, PL03 and PL04 joints use Chloroform (trichloromethane) and stainless screws. If you don't have access to chloroform, use the screws and transparent silicone sealant instead.
- PL 03 needs to be curved with heat. If you can not curve it you could make the roof in 3 pieces and join them with chloroform.
- If you use these plans, please give the credits to the creators: Domingo González, María Cirano, Elizabeth Valenzuela and EPROIC, from Chile.

						ESCALA 1:5	N° EP-PLA-MEC-001
				RESPONSABLE	UNIDAD	FECHA	DESCRIPCIÓN
				Diseño	D.G./M.C./E.V.	ING.	11.04.20
				Revisó	D.G./M.C.	ING/ARQ	17.04.20
				Aprobó	APRIMIN	ING	21.04.20
				<small>La información contenida en este plano es confidencial. Cualquier reproducción total o parcial sin previa autorización de parte de Eproic podría traer consecuencias legales.</small>		<small>Empresa: APRIMIN Localidad: CHILE Proyecto: CAP-PROT Área: MEC Lámina: 001</small>	



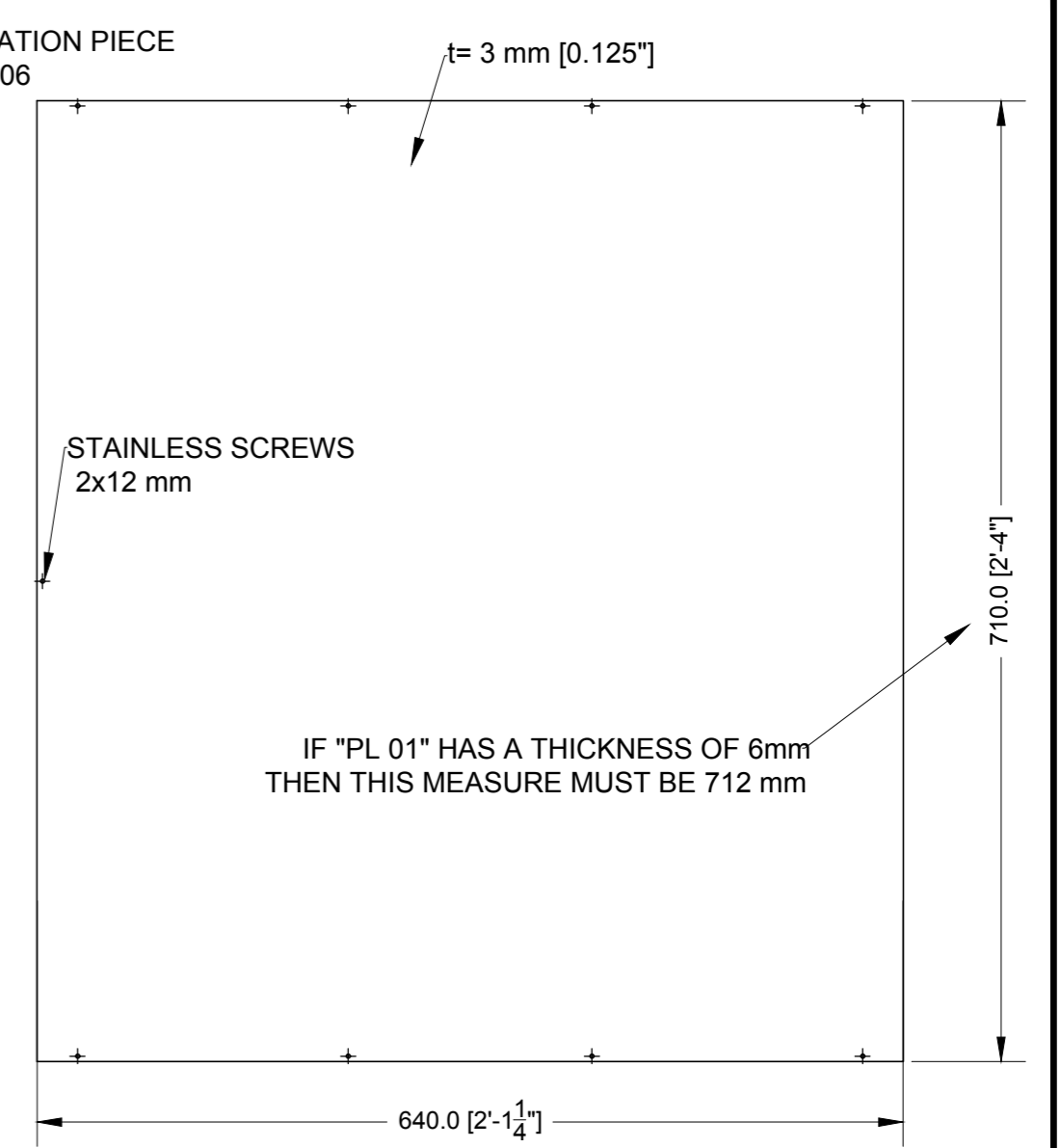
PL 01 – SIDE PIECE

QUANTITY: 2
 MATERIAL: ACRYLIC 5 OR 6 MM [0.187" or 0.236"]
 SCALE: 1:5



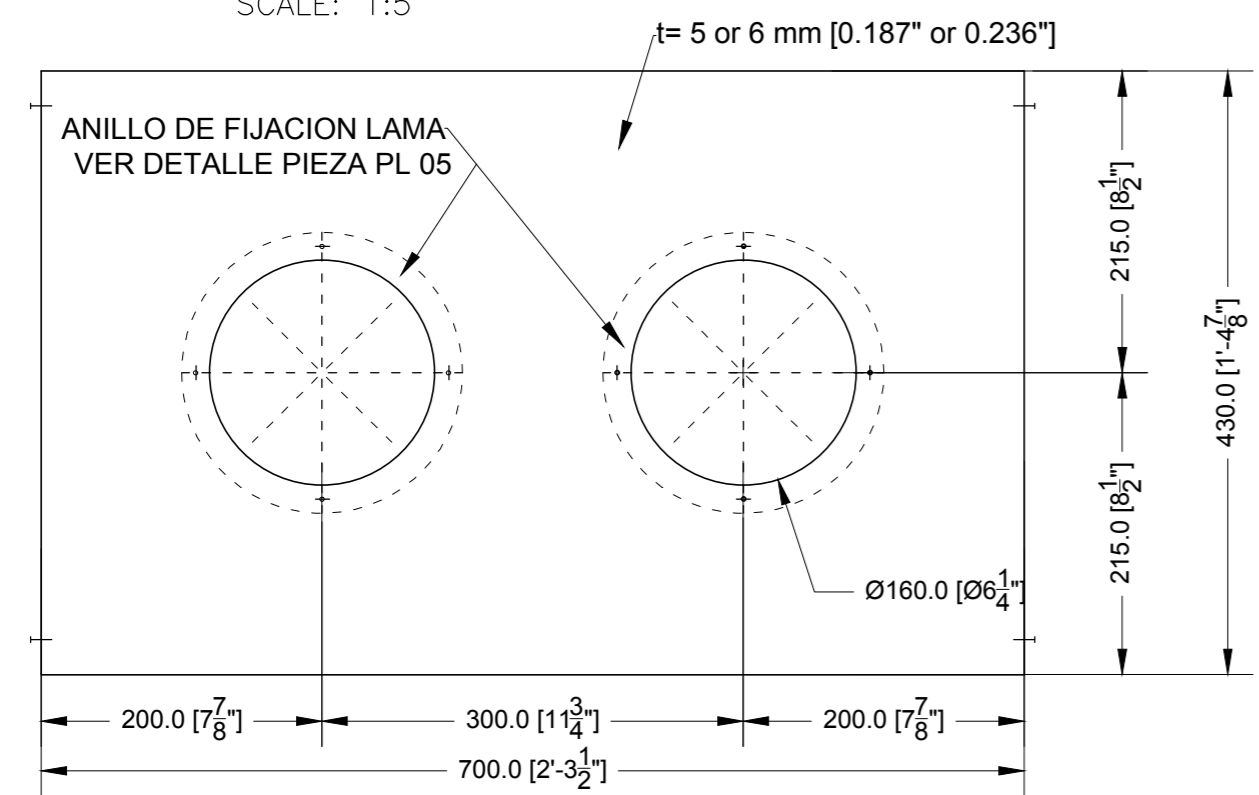
PL 02 – BACK PIECE (ARC)

QUANTITY: 1
 MATERIAL: ACRYLIC 5 OR 6 MM [0.187" or 0.236"]
 SCALE: 1:5



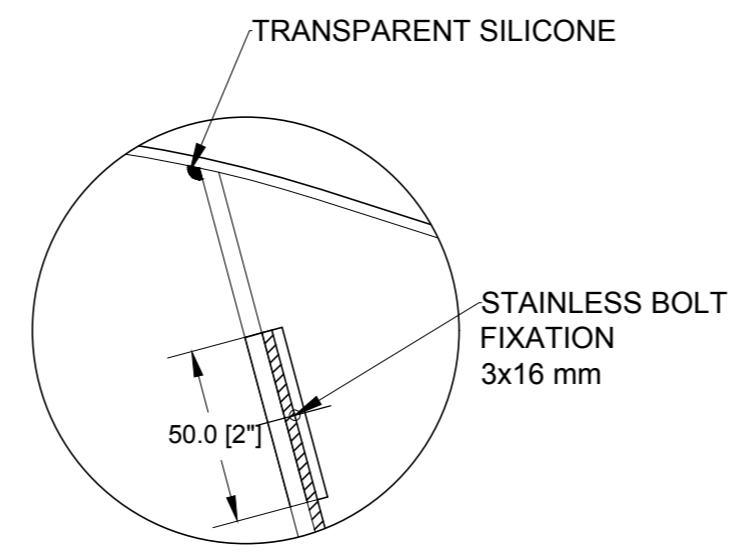
PL 03 – ROOF

QUANTITY: 1
 MATERIAL: ACRYLIC 5 OR 6 MM [0.187" or 0.236"]
 SCALE: 1:5

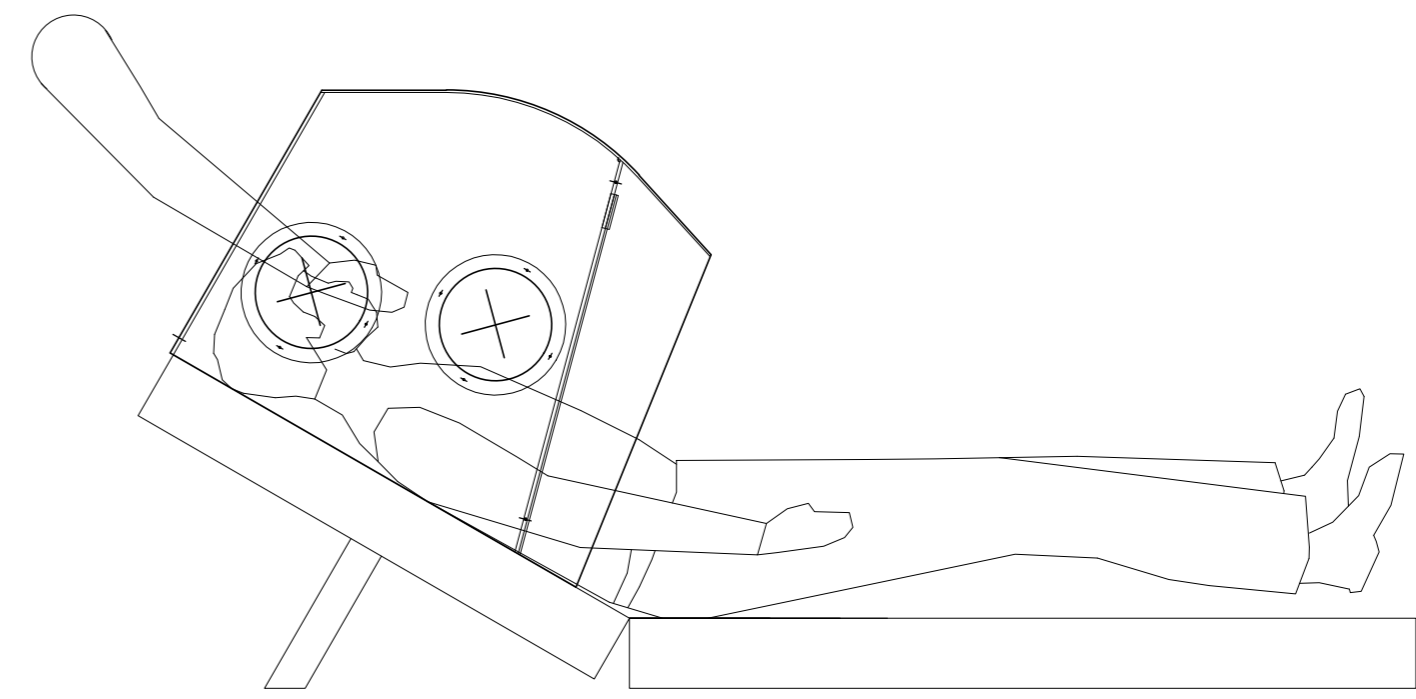


PL 04 – FRONT PIECE

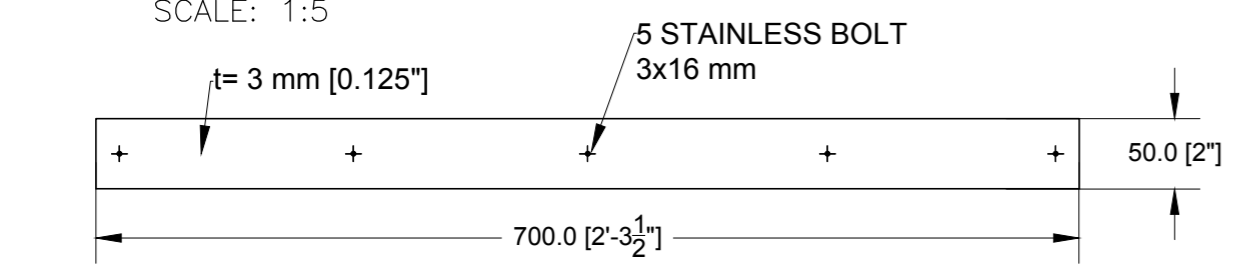
QUANTITY: 1
 MATERIAL: ACRYLIC 5 OR 6 MM [0.187" or 0.236"]
 SCALE: 1:5



DETAIL A
 LICK FIXATION WITH PL 06
 SCALE: 1:50

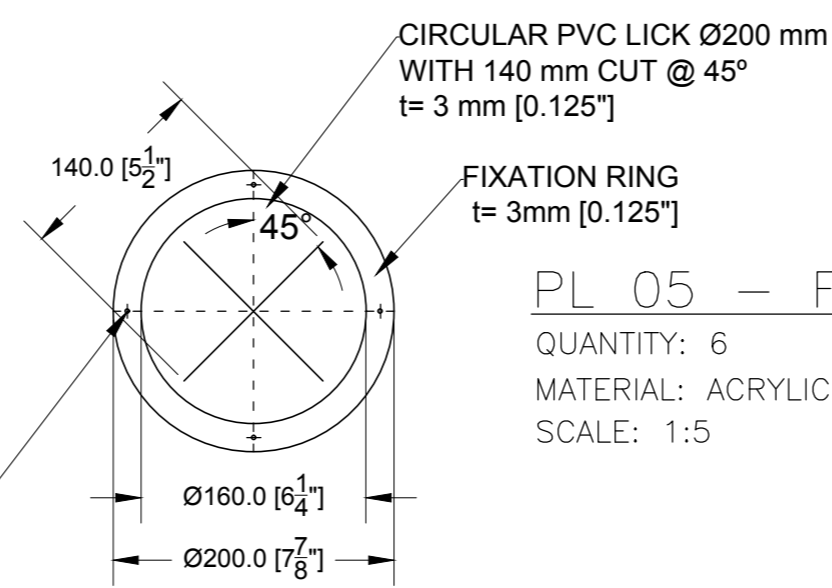


STRETCHER ASSEMBLY



PL 06 – VERTICAL LICK FIXATION PIECE

QUANTITY: 1
 MATERIAL: ACRYLIC 3 MM [0.125"]
 SCALE: 1:5



PL 05 – FIXATION RING

QUANTITY: 6
 MATERIAL: ACRYLIC 3 MM [0.125"]
 SCALE: 1:5

NOTES:

- All measurements are in millimeters and [imperial system]
- PL01, PL02, PL03 and PL04 joints use Chloroform (trichloromethane) and stainless screws. If you don't have access to chloroform, use the screws and transparent silicone sealant instead.
- PL 03 needs to be curved with heat. If you can not curve it you could make the roof in 3 pieces and join them with chloroform.
- If you use these plans, please give the credits to the creators: Domingo González, María Cirano, Elizabeth Valenzuela and EPROIC, from Chile.

				ESCALA	N° EP-PLA-MEC-002			
				1:5	DESCRIPCIÓN			
				SAFETY IN/EXTUBATION BOX - COVID19				
				RESPONSABLE	UNIDAD	FECHA		
				Diseño	D.G.M.C./E.V.	ING.	11.04.20	
				Revisó	D.G.M.C.	ING/ARQ	17.04.20	
				Aprobó	APRIMIN	ING	21.04.20	
				MODIFICACIONES				
				<small>La información contenida en este plano es confidencial. Cualquier reproducción total o parcial sin previa autorización de parte de Eproic podría traer consecuencias legales.</small>				
		Empresa	Localidad	Proyecto	Año	Lámina		
		APRIMIN	CHILE	CAP-PROT	MEC	002		